

Linear actuator Runner



High push/pull load



Compactness



High safety factor



Silent operation



Runner

Linear actuator



Benefits

- High push/pull load
- Compact
- Back-up nut as standard
- High safety factor
- Silent operation

Technical data

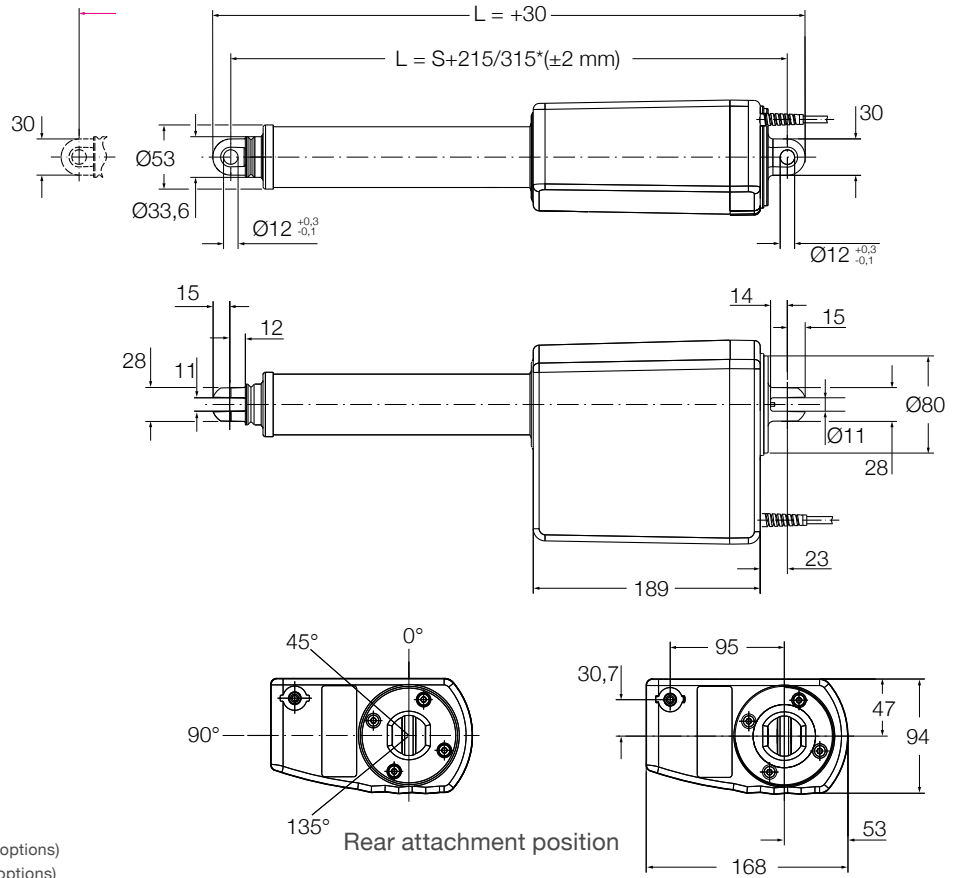
	Unit	RU20	RU21	RU22	RU23	RU24	RU25
Rated push load	N	8 000	10 000	12 000 ¹⁾	8 000	10 000	12 000 ¹⁾
Rated pull load	N	8 000	8 000	8 000	8 000	8 000	8 000
Speed (full load to no load)	mm/s	7 to 10	5 to 8	4 to 7	8 to 15	6 to 12	5 to 9
Stroke	mm	100 to 700	100 to 700	100 to 700	100 to 700	100 to 700	100 to 700
Retracted length	mm	S+215/315 ²⁾	S+215/315 ²⁾	S+215/315 ²⁾	S+215/315 ²⁾	S+215/315 ²⁾	S+215/315 ²⁾
Voltage	V DC	24	24	24	24	24	24
Power consumption	W	N/A	N/A	N/A	N/A	N/A	N/A
Current consumption	A	7	7	7	10	10	10
Duty cycle	%	10 (1/9)	10 (1/9)	10 (1/9)	10 (1/9)	10 (1/9)	10 (1/9)
Ambient temperature	°C	+10 to +40	+10 to +40	+10 to +40	+10 to +40	+10 to +40	+10 to +40
Type of protection	IP	×4/×6S	×4/×6S	×4/×6S	×4/×6S	×4/×6S	×4/×6S
Weight	kg	4,7	4,7	4,7	4,7	4,7	4,7
Color	–	Grey	Grey	Grey	Grey	Grey	Grey

¹⁾ Safety working load for medical application is 10 000 N (EN 60601)

²⁾ S ≤ 500 mm; L = S + 215

S > 500 mm; L = S + 315

Dimensional drawing

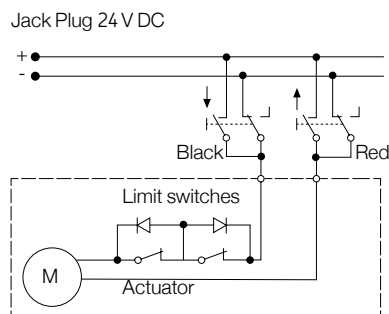
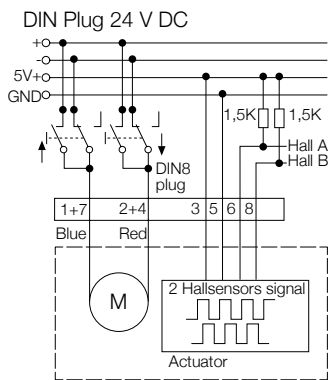


Legend:

S = stroke
L = retracted length

¹⁾ Retracted length:
up to 500 mm stroke: stroke +215 mm (plus options)
from 500 mm stroke: stroke +315 mm (plus options)

Connecting diagrams



Suitable control units and accessories

	Control units			
	SCU	VCU	BCU	MCU
RU20, RU21, RU22	•	•	•	•
RU23, RU24, RU25	•	•	•	•
Operating switches				
EHA 1				•
EHA 3	•	•	•	
STJ	•	•	•	
STF				•
STE	•	•	•	
STA				•

Hand switch

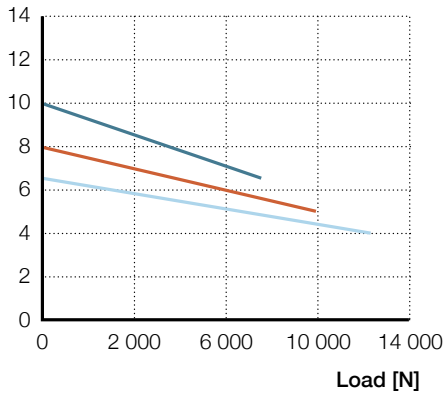
Foot switch

Desk switch

Performance diagrams

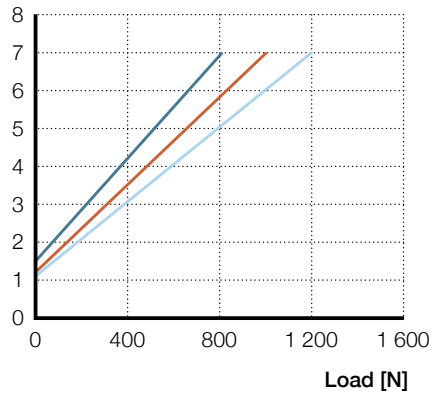
Speed-load diagram

Speed [mm/s]



Current-load diagram

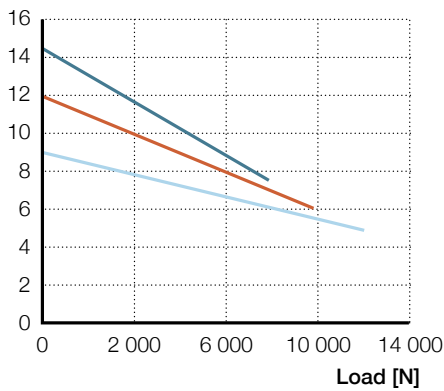
Current consumption [A]



— Rated push load 8 000 RU20 — Rated push load 10 000 RU21 — Rated push load 12 000 RU22

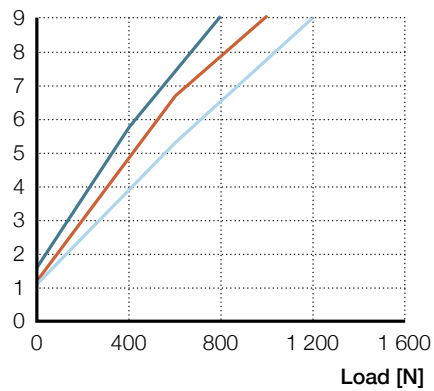
Speed-load diagram

Speed [mm/s]



Current-load diagram

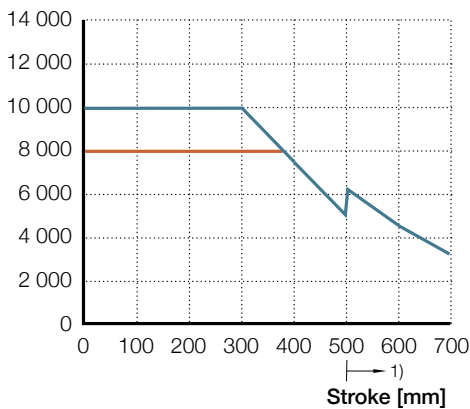
Current consumption [A]



— Rated push load 8 000 RU23 — Rated push load 10 000 RU24 — Rated push load 12 000 RU25

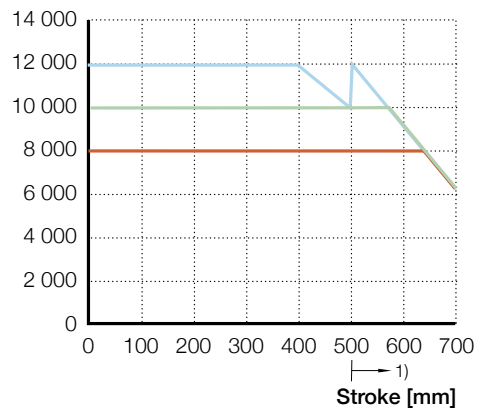
Safety factor load conditions

Load [N]



Push load limit, safety factor S=4 (EN 60601)
¹⁾ retracted length extension at stroke >500 mm

Load [N]



Push load limit, safety factor S=2
¹⁾ retracted length extension at stroke >500 mm

— RU21 RU22 RU24 RU25 — RU20 RU23 — RU22 RU25 — RU21 RU24

Ordering key

The diagram shows a sequence of boxes representing part numbers: **R**, **U**, **2**, and **00**. Lines from these boxes point to the following sections:

- R** points to **Type**.
- U** points to **Voltage**.
- 2** points to **Load / Speed**.
- 00** points to **Stroke (S) / Retracted length (L)**.
- A dashed line from the **2** box points to **Option 1**.
- A dashed line from the **00** box points to **Option 2**.
- A dashed line from the **00** box points to **Option 3**.
- A dashed line from the **00** box points to **Customized**.

Type

Voltage
24 V DC

Load / Speed

0	8 000 N / 7-10 mm/s
3	8 000 N / 8-15 mm/s
1	10 000 N / 5-8 mm/s
4	10 000 N / 6-12 mm/s
2	12 000 N / 4-7 mm/s
5	12 000 N / 5-9 mm/s

Stroke (S) / Retracted length (L)

050 315	50 mm / 315 mm
100 315	100 mm / 315 mm
150 365	150 mm / 365 mm
200 415	200 mm / 415 mm
250 465	250 mm / 465 mm
300 515	300 mm / 515 mm
350 565	350 mm / 565 mm
400 615	400 mm / 615 mm
450 665	450 mm / 665 mm
500 715	500 mm / 715 mm
550 865	550 mm / 865 mm
600 915	600 mm / 915 mm
650 965	650 mm / 965 mm
700 XXX	700 mm / 1 015 mm
---	50 < S ≤ 500 mm / S+215
---	500 < S < 700 mm / S+315
XXX XXX	S > 700 mm (customized)

Type of protection / Color

A	IP×4S, grey
B	IP×6S, grey

Cable

15	Straight cable, 1,5 m, DIN8 plug
0D	Straight cable, 1,5 m, Jack plug 180°

Rear attachment orientation / Hole diameter

0	0° / Ø12,0 mm
2	45° / Ø12,0 mm
4	90° / Ø12,0 mm
6	135° / Ø12,0 mm

Option 1

0	No option
K	Electrical anti-pinching (safety switch), pull load, L+20 mm
L	Electrical anti-pinching (safety switch), push load, L+20 mm
M	Mechanical end stop, L+25 mm
N	Electrical anti-pinching, pull load, with mechanical end stop, L+45 mm
P	Electrical anti-pinching, push load, with mechanical end stop, L+45 mm

Option 2

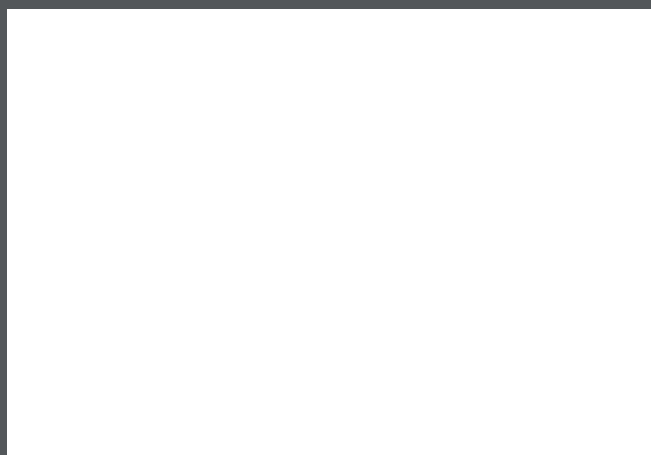
0	No option
A	2-Hall encoder, 14 pulses, DIN8 plug
M	Lifetime monitoring
N	2-Hall encoder, 14 pulses, DIN8 plug, lifetime monitoring

Option 3

-	No option
V	Emergency lowering, L+53 mm (for push load only)

Customized

■ Options shown in red are only available on request. Contact Ewellix for more information on minimum quantities and additional costs.



ewellix.com

© Ewellix

All contents of this publication are the property of Ewellix, and may not be reproduced or given to third parties (even extracts) without permission. Although great care has been taken in the production of this catalog, Ewellix does not take any responsibility for damage or other loss resulting from omissions or typographical errors. The photo may differ slightly in appearance from the actual product. Due to continuous improvements being made in our products, the product's appearance and specifications are subject to change without notice.

PUB IL-07002/1-EN-March 2020