

Telescopic pillar TFG



Push or pull load



Compact design



Fast movement



Powerful



Plug and play



Standards
EN/IEC 60601-1
UL 60601-1

TFG

Telemag



Benefits

- Push or pull load
- Compact design
- Fast movement
- Powerful
- Plug and play

Standards

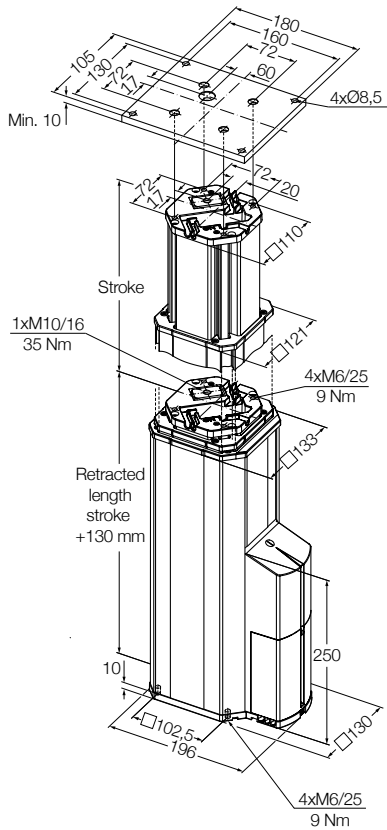
- EN/IEC 60601-1
- UL 60601-1

Technical data

	Unit	TFG 50	TFG 90
Rated push load	N	2 500	2 500
Rated pull load	N	2 500	2 500
Bending load	Nm	up to 500 ¹⁾	up to 500 ¹⁾
Speed (full load to no load)	mm/s	15 to 19	15 to 19
Telescopic pillar version	# of section	3-section	3-section
Stroke	mm	200 to 700	200 to 700
Retracted length	mm	S+130	S+130
Voltage	V AC	120	230
Power	W	160	160
Current	A	1.8	1
Duty cycle: intermittent operation	min.	1 min./9 min.	1 min./9 min.
Duty cycle: short-time operation	min.	3	3
Ambient temperature	°C	+10 to +40	+10 to +40
Type of protection	IP	30	30
Protection class	-	I	I
Type of control	-	electrical	electrical
Weight	kg	8 to 19	8 to 19

¹⁾ For details, please see bending load diagrams (L→ page 4)

Dimensional drawing



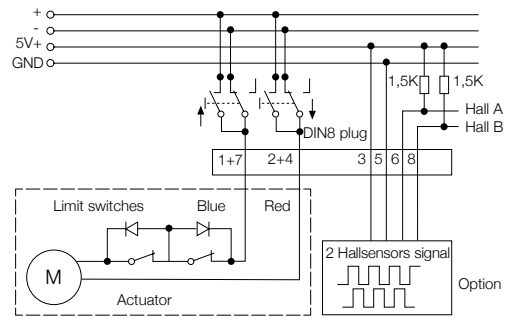
Note: mounting plates are not included.
To be ordered separately.

Legend:

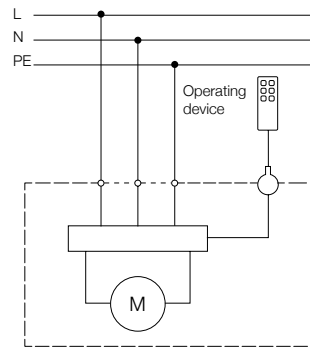
S = stroke
L = retracted length

Connecting diagrams

24 V DC (TFG10 only)



120/230 V AC



Suitable control units and accessories

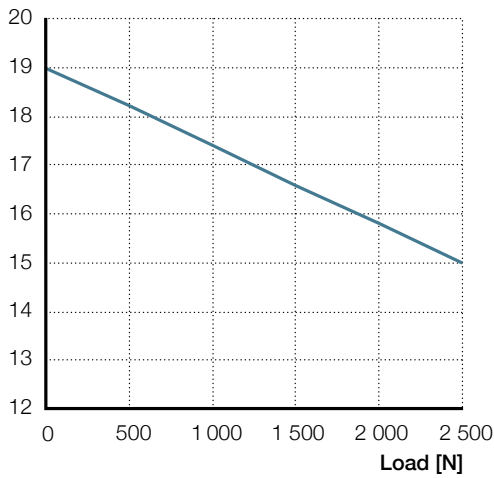
	Control units				
	SCU	VCU	BCU	COMPACT	SEM
TFG1	•	•	•	•	•
Operating switches					
EHA 3	•	•	•		
EHE					•
STJ	•	•	•		
STE	•	•	•		
HSM				•	
HSF				•	

Hand switch Foot switch Desk switch

Performance diagrams

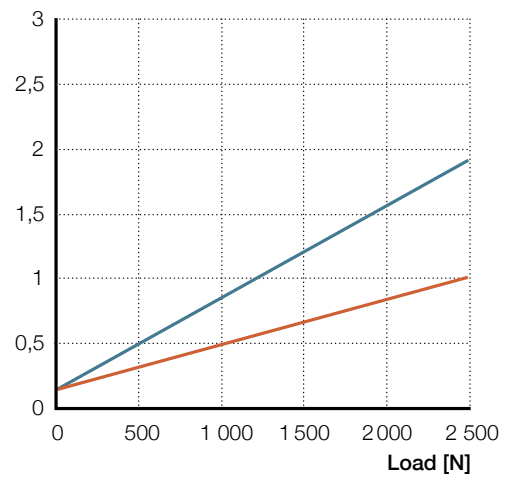
Speed-load diagram

Speed [mm/s]



Current-load diagram

Current consumption [A]

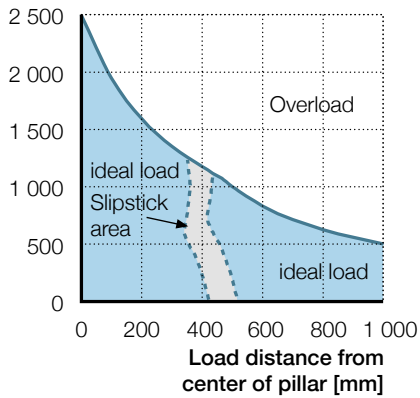


— TFG 50 — TFG 90

Bending load diagrams

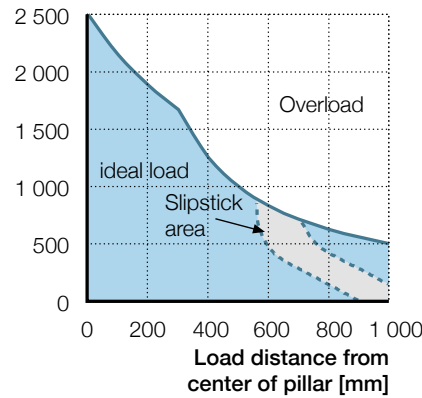
200 mm stroke

Load [N]



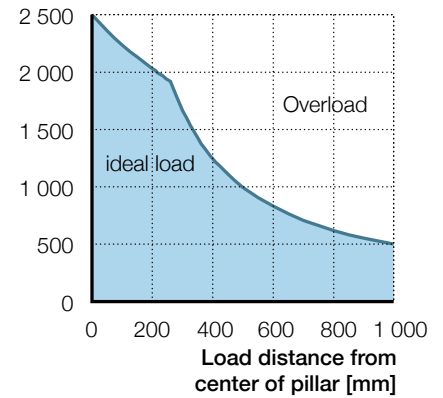
300 mm stroke

Load [N]



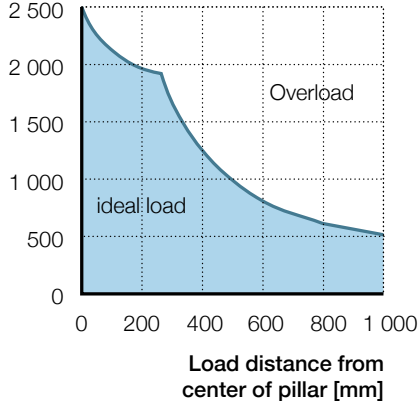
400 mm stroke

Load [N]



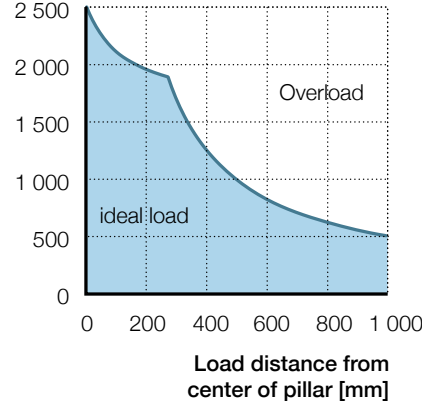
500 mm stroke

Load [N]



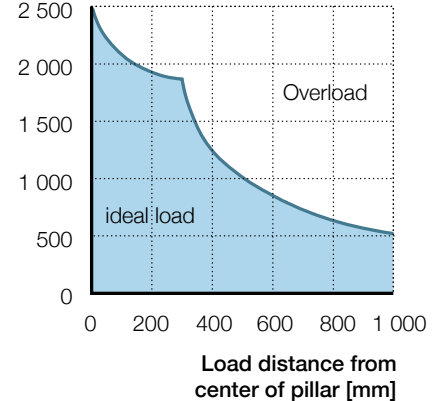
600 mm stroke

Load [N]



700 mm stroke

Load [N]



Accessories

	Designation	Order N°
Top mounting plate Bore 72 × 72 mm	ZPL-333360	0124808
Bottom mounting plate Bore 102,5 × 102,5 mm	ZPL-264363	0124814
Screw for top mounting plate M10 × 25 (1 screw required)	ZBE-510978	0125359
Screw for top mounting plate M6 × 30 (4 screws required)	ZBE-510709	0125560
Screw for bottom mounting plate M6 × 30 (4 screws required)	ZBE-510709	0125560
Mains cable SEV plug 3 000 mm, black, 3 × 0.75 mm ²	ZKA-304345-3000	0128699
Mains cable Schuko plug 3 000 mm, black, 3 × 0.75 mm ²	ZKA-304346-3000	0121729
Mains cable US plug 3 000 mm, black, 3 × 0.75 mm ²	ZKA-304347-3000	0121762
Mains cable British Standard plug 3 000 mm, black, 3 × 0.75 mm ²	ZKA-304355-3000	0121755

Ordering key

T F G 0 - 2 3 - 0 0 0

Type

Voltage

5 120 V AC (50/60 Hz)
9 230 V AC (50 Hz)

Stroke [S]

200 200 mm
250 250 mm
300 300 mm
350 350 mm
400 400 mm
500 500 mm
700 700 mm

Option

000 No option
E__ With 2-Hall encoder, 14 pulses per 9 mm travel
C With mains cable feedthrough (3xAWG16)
__H With control cable feedthrough (10xAWG28)



ewellix.com

© Ewellix

All contents of this publication are the property of Ewellix, and may not be reproduced or given to third parties (even extracts) without permission. Although great care has been taken in the production of this catalog, Ewellix does not take any responsibility for damage or other loss resulting from omissions or typographical errors. The photo may differ slightly in appearance from the actual product. Due to continuous improvements being made in our products, the product's appearance and specifications are subject to change without notice.

PUB IL-07008/1-EN-March 2020